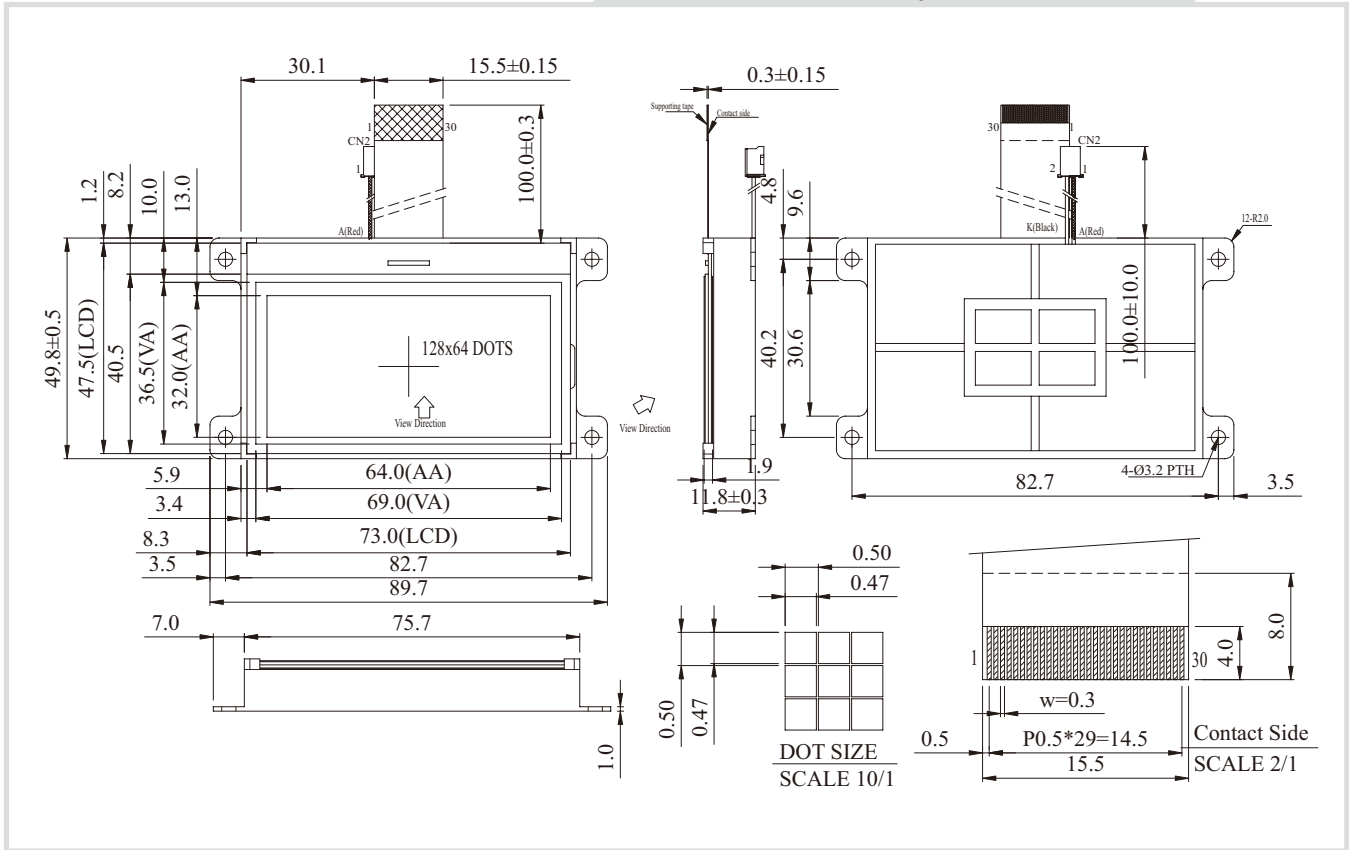


IO12864B Graphic 128x64 dots



Feature

1. Built-in controller (ST7565P or Equivalent)
2. 1/65 duty 1/9bias
3. +3.3V power supply
4. IO12864B1:thickness 6.0mm

Pin NO.	Symbol	Pin NO.	Symbol
1	CS1B	16	VOUT
2	/RES	17	CAP3P
3	A0	18	CAP1N
4	/WR(R/W)	19	CAP1P
5	/RD(E)	20	CAP2P
6	D0	21	CAP2N
7	D1	22	V4
8	D2	23	V3
9	D3	24	V2
10	D4	25	V1
11	D5	26	V0
12	D6	27	VR
13	D7	28	C86
14	VDD	29	P/S
15	Vss	30	NC

Mechanical Data

Item	Standard Value	Unit
Module Dimension	89.7x49.8x11.8	mm
Viewing Area	69.0x36.5	mm
Dot Pitch	0.5x0.5	mm
Dot Size	0.47x0.47	mm

Graphic type

Absolute Maximum Rating

Item	Symbol	Standard Value			Unit
		min.	typ.	max.	
Power Supply	VDD-VSS	0.3	---	5.0	V
Input Voltage	VI	---	---	---	V

Note: VSS=0 Volt , VDD=3.3 Volt .

Electronical Characteristics

Item	Symbol	Condition	Standard Value			Unit
			min.	typ.	max.	
Input Voltage	VDD		2.7	3.0	3.3	V
Supply Current	IDD	VDD=3.3V	---	0.6	2.0	mA
Recommended LC Driving Voltage for Normal Temp. Version module	VDD-VO	-20°C	9.5	9.8	10.3	V
		0°C	---	---	---	
		25°C	9.2	9.45	9.70	
		50°C	---	---	---	
		70°C	8.95	9.2	9.45	
LED Forward Voltage	VF	25°C	3.4	3.5	3.6	V
LED Forward Current	IF	25°C	61.2	72	80	mA