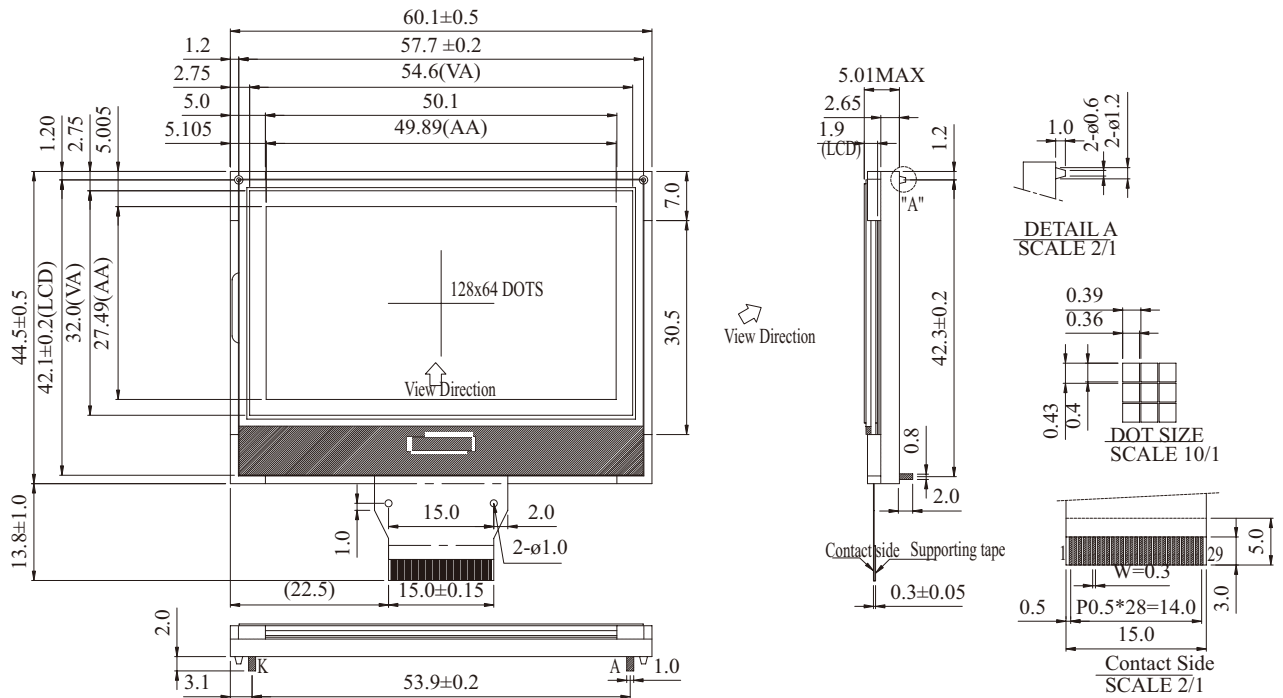


IO12864A1 Graphic 128x64 dots

Dimension drawing



Feature

1. Built-in controller (ST7565P or Equivalent)
2. 1/65 duty
3. +3.3V power supply

Mechanical Data

Item	Standard Value	Unit
Module Dimension	60.1x44.5	mm
Viewing Area	50.1x32.0	mm
Dot Pitch	0.39x0.43	mm
Dot Size	0.36x0.4	mm

Absolute Maximum Rating

Item	Symbol	Standard Value			Unit
		min.	typ.	max.	
Power Supply	VDD-VSS	-0.3	---	5.0	V
Input Voltage	VI	---	---	---	V

Note: VSS=0 Volt, VDD=3.3 Volt.

Electrical Characteristics

Item	Symbol	Condition	Standard Value			Unit
			min.	typ.	max.	
Input Voltage	VDD		2.7	3.0	3.3	V
Supply Current	IDD	VDD=3.0V	---	0.10	2.0	mA
Recommended LC Driving Voltage for Normal Temp. Version module	VDD-VO	-20°C	9.43	9.73	10.3	V
		0°C	---	---	---	
		25°C	9.20	9.45	9.70	
		50°C	---	---	---	
		70°C	8.87	9.17	9.47	
LED Forward Voltage	VF	25°C	3.4	3.5	3.6	V
LED Forward Current	IF	25°C	43.2	48	75	mA

Graphic type