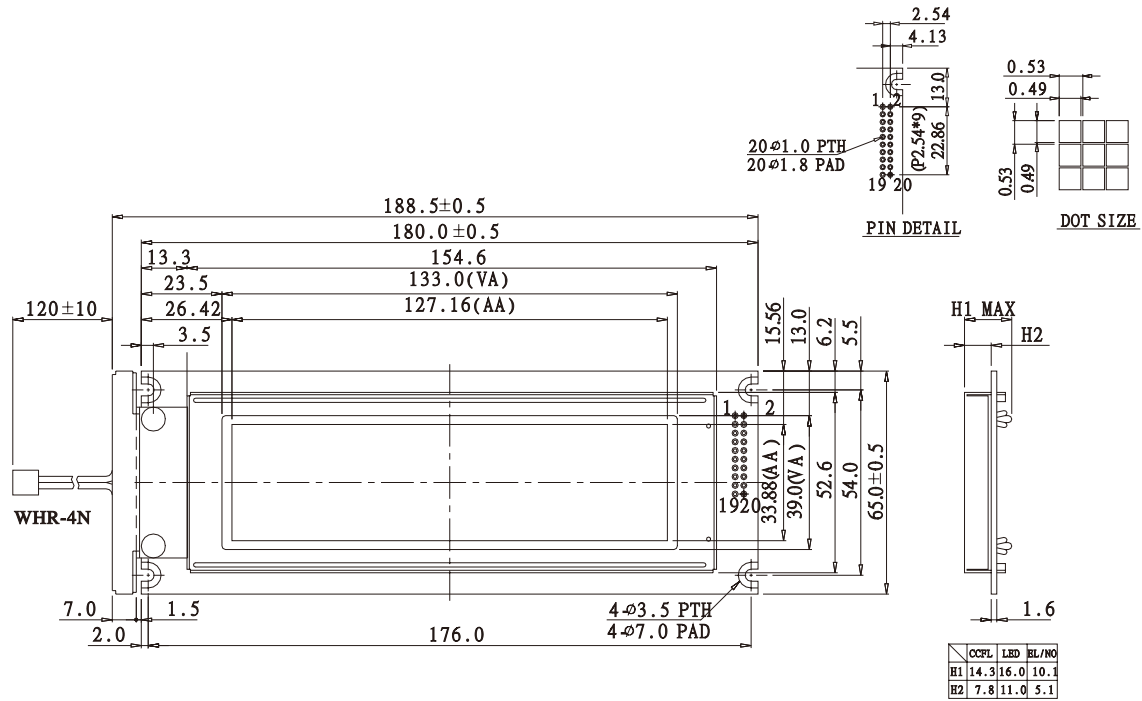


# IG24064C Graphic 240x64dots

## Dimension drawing



### Feature

1. Built in controller TOSHIBA-(T6963C or equivalent)
2. +5V power supply
3. 1/64 duty cycle
4. Built-in N/V

### Mechanical Data

Item	Standard Value	Unit
Module Dimension	180.0x65.0	mm
Viewing Area	133.0x39.0	mm
Dot Size	0.49x0.49	mm
Dot pitch	0.53x0.53	mm
Mounting hole	176.0 x 54.0	mm

### Absolute Maximum Rating

Item	Symbol	Standard Value			Unit
		min.	typ.	max.	
Power Supply	VDD-VSS	4.75	5.0	5.25	V
Input Voltage	VI	-0.3	---	VDD	V

Note : VSS=0 Volt, VDD=5.0 Volt.

### Electrical Characteristics

Item	Symbol	Condition	Standard Value			Unit
			min.	typ.	max.	
Input Voltage	VDD	L level	0.7V <sub>DD</sub>	---	V <sub>DD</sub>	V
	VIO	H level	0	---	0.3V <sub>DD</sub>	V
Supply Current	IDD	VDD=+5V	---	23.0	24.0	mA
Recommended LC Driving Voltage for Normal Temp. Version module	VDD-V0	-20°C	13.0	13.5	14.1	V
		0°C	12.5	13.1	13.7	
		25°C	12.1	12.7	13.3	
		50°C	11.1	12.2	13.0	
LED Forward Voltage	VF	25°C	---	4.2	4.6	V
		25°C	---	450	900	mA
LED Forward Current	VF	25°C	---	215	650	V <sub>ms</sub>
	IF	25°C	---	---	5.0	mA
EL	IEL	Vel=110VAC;400Hz	---	---	5.0	mA

Graphic type