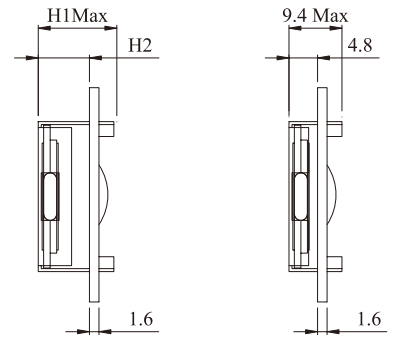
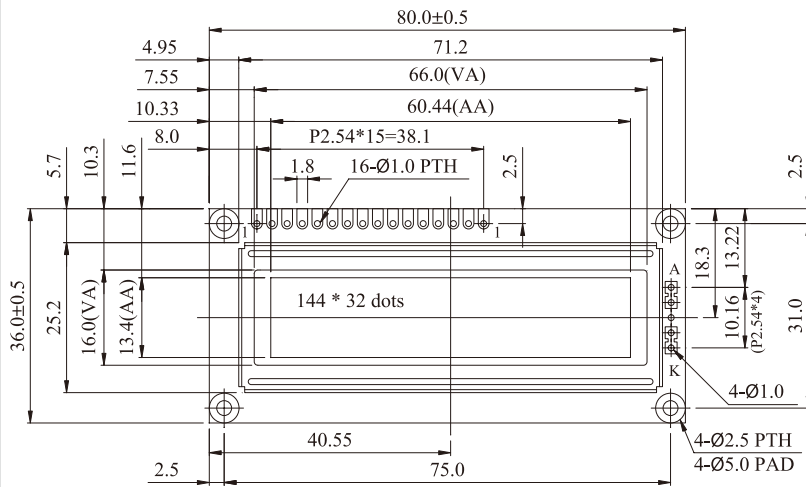


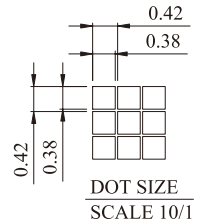
IG14432B Graphic 144x32dots

Dimension drawing



LED H/L B/L	
	High / Low
H1	13.2 / 12.1
H2	8.6 / 7.5

EL or NO B/L



Feature

1. Built-in controller (ST7920)
2. +5V power supply
3. 1/32 duty cycle
4. LED can be driven by PIN15, PIN16 or A, K
5. Chinese Version
6. Same size with IH1602B

Graphic type

Mechanical Data

Item	Standard Value	Unit
Module Dimension	80x36	mm
Viewing Area	66.0x16.0	mm
Mounting hole	75x31	mm
Dot Size	0.38x0.38	mm
Dot Pitch	0.42x0.42	mm

Pin NO.	Symbol	Function
1	Vss	GND
2	Vdd	Power supply (+5V)
3	Vo	NC
4	RS	H/L register select signal
5	R/W	H/L Read / Write signal
6	E	H→L Enable signal
7	DB0	H/L Data bus line
8	DB1	H/L Data bus line
9	DB2	H/L Data bus line
10	DB3	H/L Data bus line
11	DB4	H/L Data bus line
12	DB5	H/L Data bus line
13	DB6	H/L Data bus line
14	DB7	H/L Data bus line
15	A	Power supply for B/L
16	K	Power supply for B/L

Absolute Maximum Rating

Item	Symbol	Standard Value			Unit
		min.	typ.	max.	
Power Supply	VDD-VSS	0	---	7.0	V
Input Voltage	VI	0	---	VDD	V

Note : VSS=0 Volt, VDD=5.0 Volt.

Electrical Characteristics

Item	Symbol	Condition	Standard Value			Unit	
			min.	typ.	max.		
Input Voltage	VDD	VDD=+5V	4.5	5.0	5.5	V	
Supply Current	IDD	VDD=5V	---	1.2	1.5	mA	
Recommended LC Driving Voltage for Normal Temp. Version module	Vo-Vss	-20°C	---	---	6.0	V	
		0°C	---	---	5.0		
		25°C	---	4.7	---		
		50°C	4.4	---	---		
		70°C	4.0	---	---		
LED Forward Voltage	VF	25°C	---	4.0	4.3	V	
LED Forward Current	IF	25°C	array	---	130	260	mA
			Edge	---	20	40	