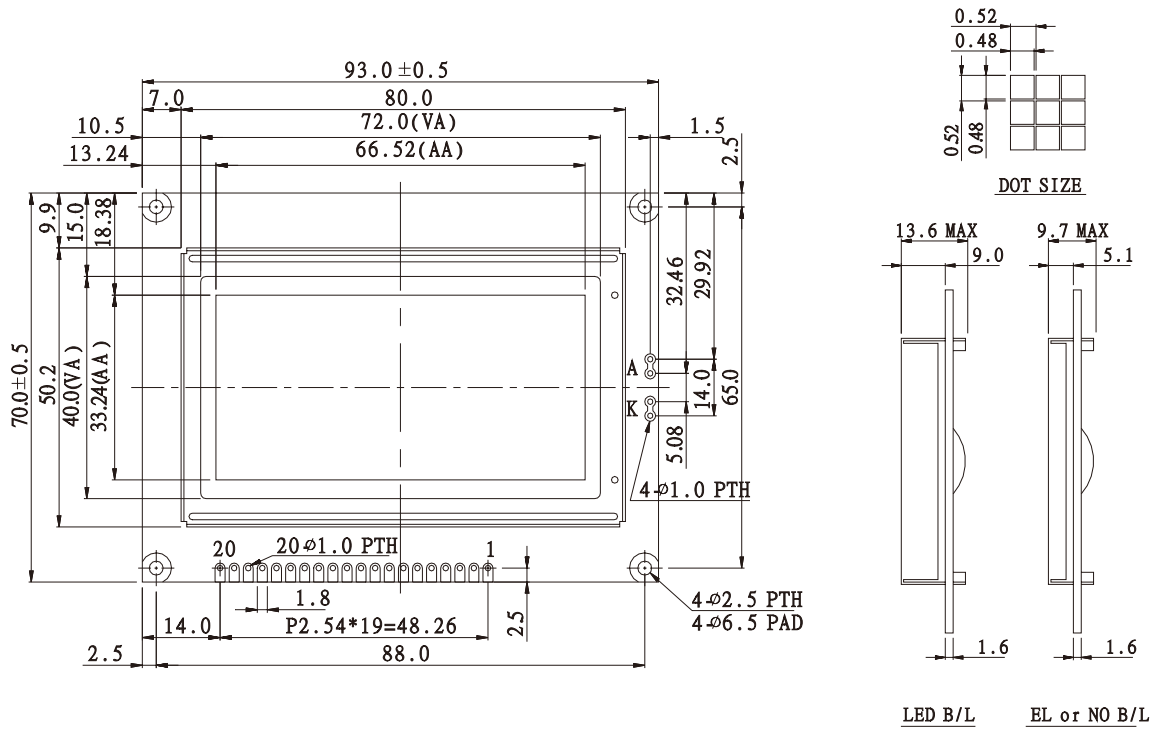


IG12864A Graphic 128x64dots

Dimension drawing



Feature

1. Built-in controller Samsung-(KS0107 · KS0108 or equivalent)
2. +5V power supply
3. 1/64 duty cycle
4. IG12864AB: N.V. option for +3.3V
5. IG12864A1: double-row interface

Pin NO.	Symbol	Function
1	Vss	GND
2	Vdd	Power supply (+5V)
3	Vo	Contrast Adjustment
4	D/I	Data/Instruction
5	R/ \bar{W}	Data read/write
6	E	H → L Enable signal
7	DB0	Data bus line
8	DB1	Data bus line
9	DB2	Data bus line
10	DB3	Data bus line
11	DB4	Data bus line
12	DB5	Data bus line
13	DB6	Data bus line
14	DB7	Data bus line
15	CS1	Chip select for IC1
16	CS2	Chip select for IC2
17	\bar{RST}	Reset
18	Vee	Negative voltage output
19	A	Power supply for LED+(4.2V)RA=0Ω
20	K	Power supply for LED(0V)

Mechanical Data

Item	Standard Value	Unit
Module Dimension	93.0x70.0	mm
Viewing Area	72.0x40.0	mm
Mounting hole	88.0x65.0	mm
Dot Pitch	0.52x0.52	mm

Absolute Maximum Rating

Item	Symbol	Standard Value			Unit
		min.	typ.	max.	
Power Supply	VDD-VSS	4.75	5.0	5.25	V
Input Voltage	VI	-0.3	---	VDD	V

Note : VSS=0 Volt, VDD=5.0 Volt.

Electronical Characteristics

Item	Symbol	Condition	Standard Value			Unit
			min.	typ.	max.	
Input Voltage	VDD	L level	0.7V _{DD}	---	V _{DD}	V
	VIO	H level	0	---	0.3V _{DD}	V
Supply Current	IDD	VDD=5V	---	2.5	7.5	m
Recommended LC Driving Voltage for Normal Temp. Version module	VDD-V0	-20°C	9.9	10.4	10.9	V
		0°C	9.7	10.2	10.7	
		25°C	8.9	9.4	9.9	
		50°C	8.6	9.1	9.6	
		70°C	8.4	8.9	9.4	
LED Forward Voltage	VF	25°C	---	4.2	4.6	V
LED Forward Current	IF	25°C Array	---	330	660	mA
		25°C Edge	---	120	240	
EL Power Supply Current	IEL	Vel=110VAC;400Hz	---	---	5.0	m

Graphic type