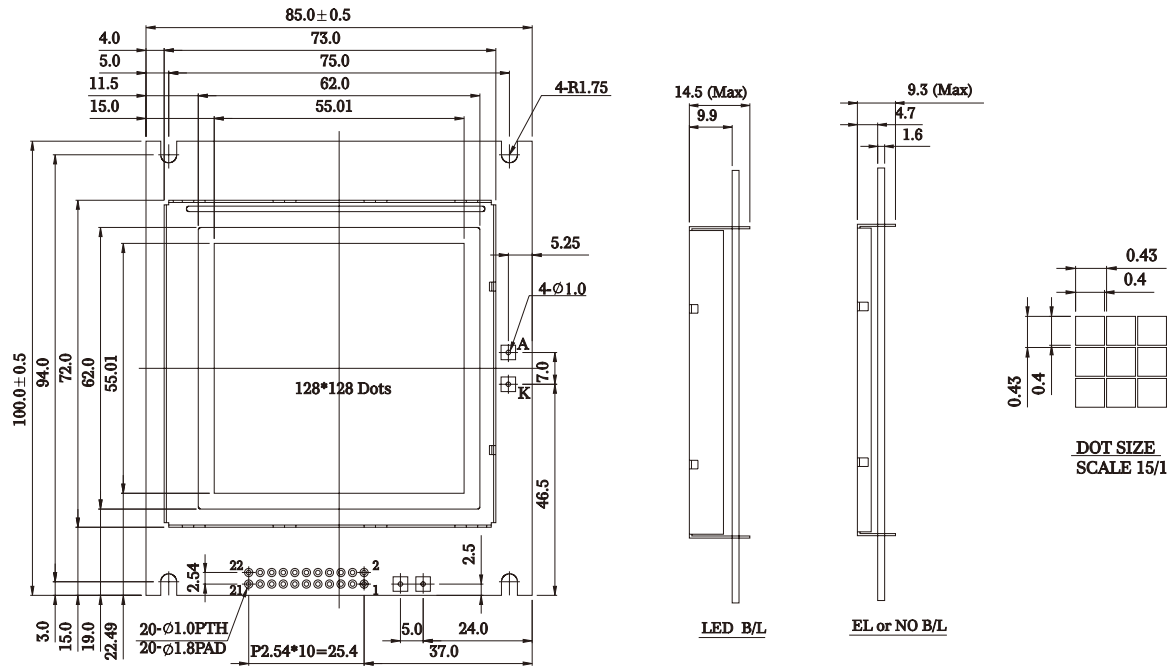


IG128128A Graphic 128x128 dots

Dimension drawing



Feature

1. Built-in controller TOSHIBA- (T6963C)
2. 1/128 duty cycle
3. N.V. optional
4. +5V power supply

Mechanical Data

Item	Standard Value	Unit
Module Dimension	85.0x100.0	mm
Viewing Area	62.0x62.0	mm
Mounting hole	75.0 x 94.0	mm
Dot Pitch	0.43x0.43	mm

Absolute Maximum Rating

Item	Symbol	Standard Value			Unit
		min.	typ.	max.	
Power Supply	VDD-VSS	4.75	5.0	5.25	V
Input Voltage	VI	-0.3	---	VDD	V

Note : VSS=0 Volt, VDD=5.0 Volt.

Electronical Characteristics

Item	Symbol	Condition	Standard Value			Unit
			min.	typ.	max.	
Input Voltage	VDD	L level	0.7V _{DD}	---	V _{DD}	V
	VIO	H level	---	---	0.3V _{DD}	V
Supply Current	IDD	VDD=5V	---	1.5	---	mA
Recommended LC Driving Voltage for Normal Temp. Version module	VDD-V0	-20°C	---	18.0	---	V
		0°C	---	17.5	---	
		25°C	---	17.0	---	
		50°C	---	16.0	---	
LED Forward Voltage	VF	25°C	---	4.2	4.6	V
LED Forward Current	IF	25°C	---	500	---	mA
EL Power Supply Current	IEL	Vel=110VAC;400Hz	---	---	5.0	mA

Graphic type